

BALDOR® • RELIANCE 

Product Information Packet

CM3541

.75HP,3450RPM,3PH,60HZ,56C,3413M,TEFC,F1

Part Detail							
Revision:	T	Status:	PRD/A	Change #:		Proprietary:	No
Type:	AC	Elec. Spec:	34WG0255	CD Diagram:	CD0005	Mfg Plant:	
Mech. Spec:	34A062	Layout:	34LYA062	Poles:	02	Created Date:	
Base:	RG	Eff. Date:	02-15-2018	Leads:	9#18		

Specs			
Catalog Number:	CM3541	Insulation Class:	B
Enclosure:	TEFC	Inverter Code:	Not Inverter
Frame:	56C	KVA Code:	K
Frame Material:	Steel	Lifting Lugs:	No Lifting Lugs
Output @ Frequency:	.750 HP @ 60 HZ	Locked Bearing Indicator:	Locked Bearing
Synchronous Speed @ Frequency:	3600 RPM @ 60 HZ	Motor Lead Quantity/Wire Size:	9 @ 18 AWG
Voltage @ Frequency:	460.0 V @ 60 HZ	Motor Lead Exit:	Ko Box
	230.0 V @ 60 HZ	Motor Lead Termination:	Flying Leads
XP Class and Group:	None	Motor Type:	3413M
XP Division:	Not Applicable	Mounting Arrangement:	F1
Agency Approvals:	CSA	Power Factor:	73
	UR	Product Family:	General Purpose
Auxillary Box:	No Auxillary Box	Pulley End Bearing Type:	Ball
Auxillary Box Lead Termination:	None	Pulley Face Code:	C-Face
Base Indicator:	Rigid	Pulley Shaft Indicator:	Standard
Bearing Grease Type:	Polyrex EM (-20F +300F)	Rodent Screen:	None
Blower:	None	Shaft Extension Location:	Pulley End
Current @ Voltage:	1.300 A @ 460.0 V	Shaft Ground Indicator:	No Shaft Grounding

	2.600 A @ 230.0 V	Shaft Rotation:	Reversible
	3.100 A @ 208.0 V	Shaft Slinger Indicator:	No Slinger
Design Code:	B	Speed Code:	Single Speed
Drip Cover:	No Drip Cover	Motor Standards:	NEMA
Duty Rating:	CONT	Starting Method:	Direct on line
Electrically Isolated Bearing:	Not Electrically Isolated	Thermal Device - Bearing:	NONE (OLD)
Feedback Device:	NO FEEDBACK	Thermal Device - Winding:	None
Front Face Code:	Standard	Vibration Sensor Indicator:	No Vibration Sensor
Front Shaft Indicator:	None	Winding Thermal 1:	None
Heater Indicator:	No Heater	Winding Thermal 2:	None

Nameplate NP1256L										
CAT.NO.	CM3541									
SPEC.	34A62-255									
HP	.75									
VOLTS	230/460									
AMP	2.6/1.3									
RPM	3450									
FRAME	56C				HZ	60			PH	3
SER.F.	1.25		CODE	K	DES	B		CLASS	B	
NEMA-NOM-EFF	74		PF	73						
RATING	40C AMB-CONT									
CC								USABLE AT 208V	3.1	
DE	6203				ODE	6203				
ENCL	TEFC		SN							
	SFA 3/1.5									

Parts List		
Part Number	Description	Quantity
SA009826	SA 34A62-255	1.000 EA
RA006271	RA 34A62-255	1.000 EA
NS2512A01	INSULATOR, CONDUIT BOX X	1.000 EA
34CB3002A	CB CAST W/.88 DIA HOLE	1.000 EA
34GS1029A01	GASKET, CONDUIT BOX	1.000 EA
51XB1016A07	10-16 X 7/16 HXWSSLD SERTYB	2.000 EA
11XW1032G06	10-32 X .38, TAPTITE II, HEX WSHR SLTD U	1.000 EA
34EP3102A01SP	FR ENDPLATE, MACH	1.000 EA
HW5100A03	WAVY WASHER (W1543-017)	1.000 EA
34EP3300A24SP	PU ENDPLATE, MACH	1.000 EA
51XN1032A20	10-32 X 1 1/4 HX WS SL SR	2.000 EA
34FN3002A01SP	EXTERNAL FAN, PLASTIC, .637/.639 HUB W/	1.000 EA
34FH4002A01SP	IEC FH NO GREASER PRIMED	1.000 EA
51XW1032A06	10-32 X .38, TAPTITE II, HEX WSHR SLTD S	3.000 EA
34CB4517	CB LID 4 MTG HOLES .22 DIA STAMPED, FOR	1.000 EA
34GS1031A01	GASKET, FLAT CONDUIT BOX LID (LEXIDE)	1.000 EA
51XW0832A07	8-32 X .44, TAPTITE II, HEX WSHR SLTD SE	4.000 EA
HW2501D13	KEY, 3/16 SQ X 1.375	1.000 EA
HA7000A04	KEY RETAINER 0.625 DIA SHAFTS	1.000 EA
MG1000G27	MED CHARCOAL METALLIC GREY 400-0096	0.014 GA
85XU0407S04	4X1/4 U DRIVE PIN STAINLESS	2.000 EA
HA3100A12	THRUBOLT 10-32 X 7.375	4.000 EA
LC0005E01	CONN.DIA./WARNING LABEL (LC0005/LB1119N)	1.000 EA
NP1256L	ALUM UL CSA CC INDUSTRIAL MOTOR A60	1.000 EA

Parts List (continued)		
Part Number	Description	Quantity
34PA1002	PKG GRP, PRINT PK1001A01	1.000 EA

AC Induction Motor Performance Data
Record # 6564 - Typical performance - not guaranteed values

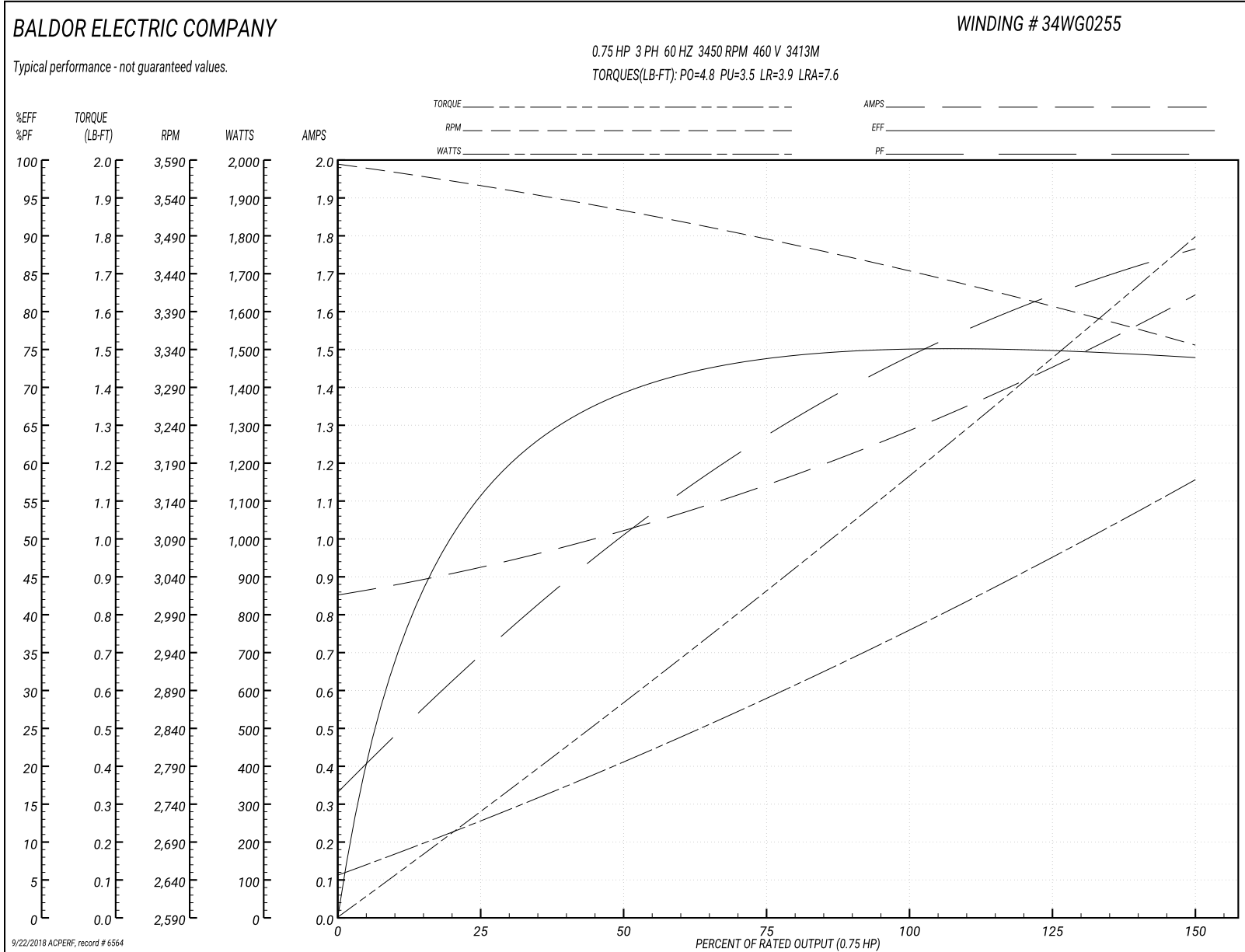
Winding: 34WG0255-R001	Type: 3413M	Enclosure: TEFC
-------------------------------	--------------------	------------------------

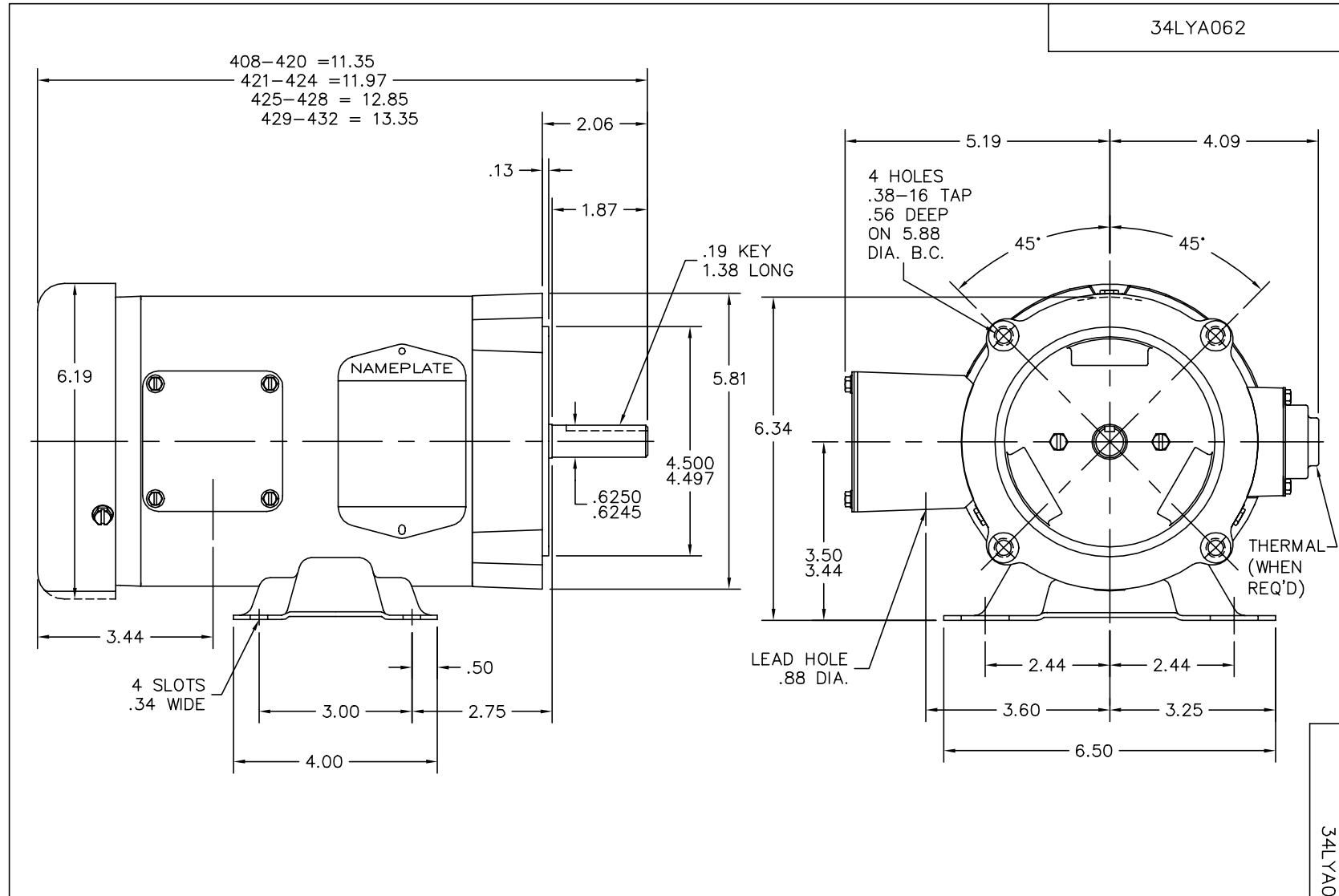
Nameplate Data				460 V, 60 Hz: High Voltage Connection	
Rated Output (HP)	.75			Full Load Torque	1.2 LB-FT
Volts	230/460			Start Configuration	direct on line
Full Load Amps	2.6/1.3			Breakdown Torque	4.8 LB-FT
R.P.M.	3450			Pull-up Torque	3.5 LB-FT
Hz	60	Phase	3	Locked-rotor Torque	3.9 LB-FT
NEMA Design Code	B	KVA Code	K	Starting Current	7.6 A
Service Factor (S.F.)	1.25			No-load Current	0.85 A
NEMA Nom. Eff.	74	Power Factor	73	Line-line Res. @ 25°C	24.6 Ω
Rating - Duty	40C AMB-CONT			Temp. Rise @ Rated Load	64°C
S.F. Amps	3/1.5			Temp. Rise @ S.F. Load	84°C

Load Characteristics 460 V, 60 Hz, 0.75 HP

% of Rated Load	25	50	75	100	125	150	S.F.
Power Factor	39	58	67	78	82	84	82
Efficiency	57.7	70.6	73.6	75.1	74.7	74	74.7
Speed	3553	3518	3481	3440	3395	3344	3395
Line amperes	0.95	1.02	1.12	1.33	1.5	1.62	1.5

Performance Graph at 460V, 60Hz, 0.75HP Typical performance - Not guaranteed values





34LYA062

34LYA062

CUSTOMER IS RESPONSIBLE FOR DETERMINING THAT BALDOR'S PRODUCT WILL PERFORM SUITABLY IN THE INTENDED APPLICATION.

REV. DESC: UPDATE BAND AND SHAFT TO NONE DASH (-) PART		
REV. LTR: R	VERSION: 03	TDR: 000001042106
FILE: \AAA\00000\725	REVISED: 11:32:57 09/05/2017	BY: ENMAIYO
MTL: -	©	

BALDOR

STD HORZ 34M NEMA 56C TEFC

SH 1 of 1

CD0005

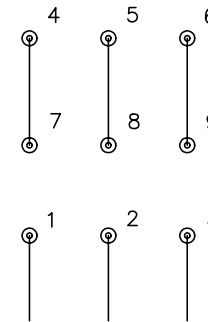


LOW VOLTAGE
(2Y)



LINE

HIGH VOLTAGE
(1Y)



LINE

NOTES:

1. INTERCHANGE ANY TWO LINE LEADS TO REVERSE ROTATION.
2. OPTIONAL THERMOSTATS ARE PROVIDED WHEN SPECIFIED.
3. ACTUAL NUMBER OF INTERNAL PARALLEL CIRCUITS MAY BE A MULTIPLE OF THOSE SHOWN ABOVE.
4. LEAD COLORS ARE OPTIONAL. LEADS MUST ALWAYS BE NUMBERED AS SHOWN.

REV. DESC: REVISE TO SHOW OPTIONAL COLORS			
REV. LTR: E	BY: JLP	REVISED: 01/19/99 10:15	TDR: 0171435
90000		FILE: AAA00005140	MDL: -
		MTL: -	

BALDOR ELECTRIC Co.

3PH, DV, 9 LEADS

CD0005